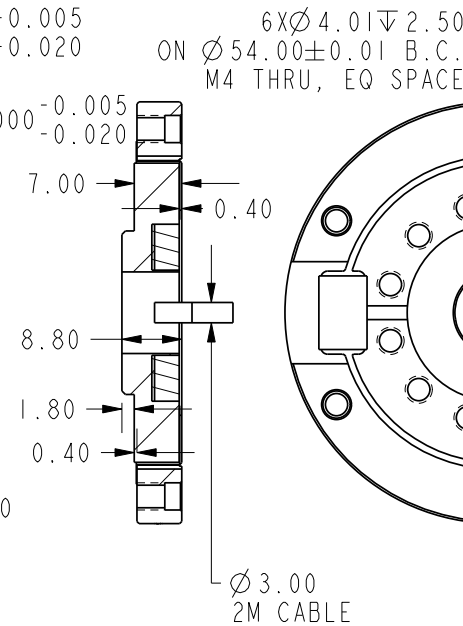
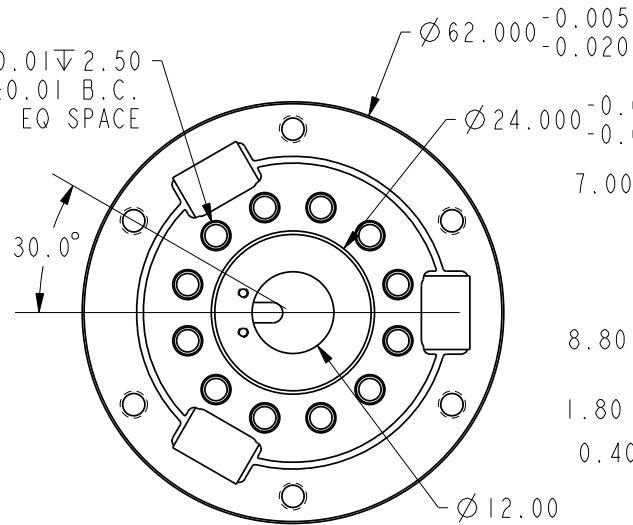
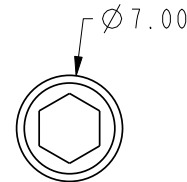
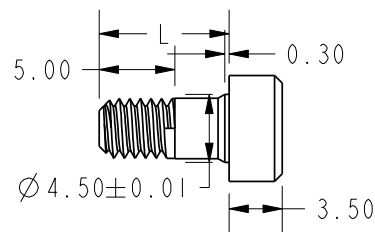


12X $\varnothing 4.01 \pm 0.01 \nabla 2.50$
ON $\varnothing 32.00 \pm 0.01$ B.C.
M4 THRU, EQ SPACE



NOTE: THE OVERLOAD CAPACITIES FOR BENDING MOMENT, AXIAL AND RADIAL FORCE EXCEED 300% OF THOSE USED FOR CROSSTALK MEASUREMENT



14X MODIFIED
M4 X 8.6 SCREW FOR
2.00MM THICK
MATING PLATE

4X MODIFIED
M4X13.6 SCREW FOR
7.00MM PLATE

6X MODIFIED
M4X17.6 SCREW FOR
11.00MM PLATE

MATING HOLE SIZE
 $\varnothing 4.50 \pm 0.01$ MM

WIRING CODE

COLOR	FUNCTION
RED	+EX
GREEN	+SIG
BLACK	GND
BROWN	-SIG

SPECIFICATIONS

CAPACITY (Nm)	150
OVERLOAD CAPACITY (%F.S.)	300
OUTPUT @ F.S. (V), AFTER AMPLIFIER	2.5±2
POWER SUPPLY (V)	5V
BRIDGE RESISTANCE (Ω) NOMINAL	350
NON-LINEARITY (%F.S.)	0.5
HYSTERESIS (%F.S.)	1.0
OPERATING TEMP. RANGE (°C)	-20 TO +100
CROSSTALK (%F.S.)	1.0
AXIAL FORCE FOR CROSSTALK (N)	250
RADIAL FORCE FOR CROSSTALK (N)	250
BENDING MOMENT FOR CROSSTALK (Nm)	25
TORSION ANGLE (CALCULATED)	0.04°
TORSIONAL STIFFNESS (KNm/RAD)	80
MASS (KG)	0.14

SUNRISE INSTRUMENTS

www.srisensor.com

SINGLE AXIS TORQUE LOADCELL
D62MM, 150 Nm

UNLESS OTHERWISE SPECIFIED
DIMENSIONS ARE IN MM

M2210N2

REV.
A2