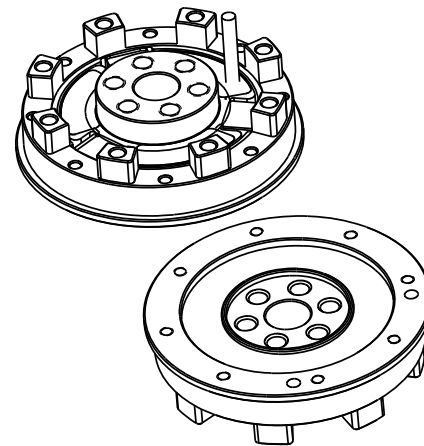


NOTE: THE OVERLOAD CAPACITIES FOR BENDING MOMENT, AXIAL AND RADIAL FORCE EXCEED 300% OF THOSE USED FOR CROSSTALK MEASUREMENT



SPECIFICATIONS	
CAPACITY (Nm)	80
OVERLOAD CAPACITY (%F.S.)	200
OUTPUT @ F.S. (V), DIFFERENTIAL	2.5±2
POWER SUPPLY (V)	5V
BRIDGE RESISTANCE (Ω) NOMINAL	350
NON-LINEARITY (%F.S.)	0.5
HYSTERESIS (%F.S.)	1.0
OPERATING TEMP. RANGE (°C)	-20 TO +100
CROSSTALK (%F.S.)	1.0
AXIAL FORCE FOR CROSSTALK (N)	300
RADIAL FORCE FOR CROSSTALK (N)	500
BENDING MOMENT FOR CROSSTALK (Nm)	37.5
TORSION ANGLE (CALCULATED)	0.05°
TORSIONAL STIFFNESS (KNm/RAD)	90
MASS (KG)	0.18

WIRING CODE	
COLOR	FUNCTION
RED	+EX
GREEN	+SIG
BLACK	GND
BROWN	-SIG

**SUNRISE INSTRUMENTS**

[www.srisensor.com](http://www.srisensor.com)

SINGLE AXIS TORQUE LOADCELL  
D63.5MM, 80 Nm

UNLESS OTHERWISE SPECIFIED  
DIMENSIONS ARE IN MM

M2212N2

REV.  
B